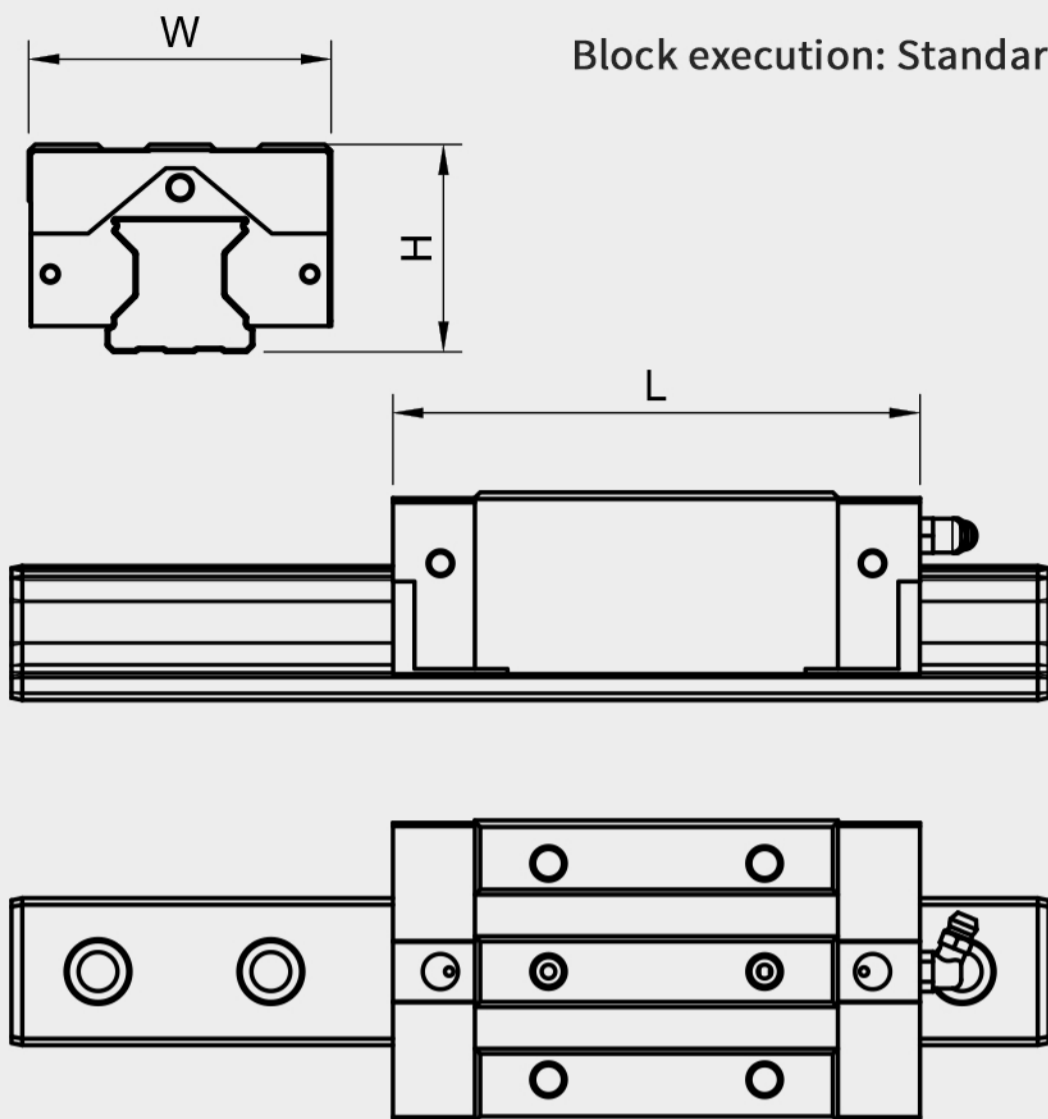


Block execution: Standard (M)



Block execution: Flange (F)

