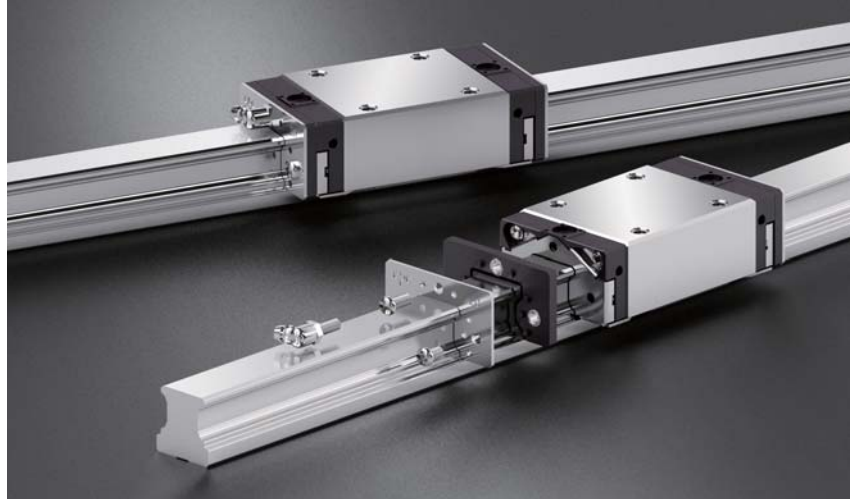


External NBR Seal with Metal Scraper

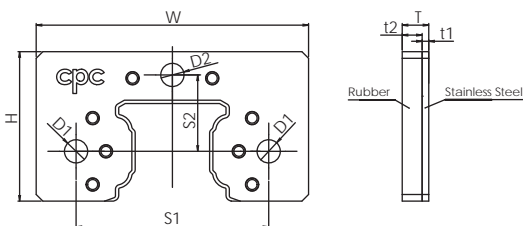
Features of External NBR Seal (Ordering Code: SN)

Available for applications under harsh environment, external NBR seal is the dustproof solution for milling machining, machinery processing, wood-working or other outdoors application. It can demonstrate high dustproof ability, prevent contamination from fine dust, iron scrap or dirt.



Dimensions and Specifications

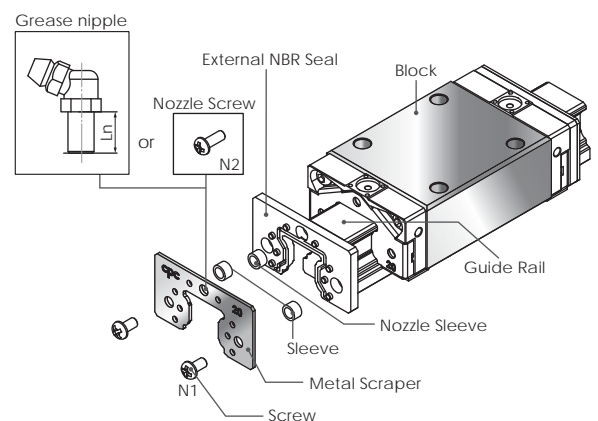
Unit: mm



Model Code	Exterior Dimension					Bore Specification				Screw Specification		
	T	t1	t2	W	H	S1	S2	D1	D2	N1	N2	Ln
15	4	1	3	33	20.3	25	10.2	3.5	3.5	M3x0.35	M3x0.5	9
20	4	1	3	41	22.5	29	11.5	3.5	3.5	M3x0.35	M3x0.5	9
25	5.2	1.2	4	47	26.5	36.5	13.5	4.5	6.5	M4x0.5	M6x0.75	12
30	6	1.5	4.5	58	34.2	42.5	17.5	4.5	6.5	M4x0.5	M6x0.75	12
35	6	1.5	4.5	68	39.3	50	20.5	4.5	6.5	M4x0.5	M6x0.75	12
45	6	1.5	4.5	84	49.6	65	24.9	4.5	10	M4x0.5	PT1/8	15

Installation manual

1. Set block on the rail before installing external NBR seal.
2. Make sure rubber part is fitted in the sleeve. If rubber parts fall off, please set the sleeve to the correspondent bore.
3. Overlap rubber part and metal scraper with the corresponding salient point and the bore. **cpc** logo must be facing outward.
4. Slide the external NBR seal into rail from two sides and closely connect with the block.
5. Fasten screw into the correspondence bore. Make sure the seal is centre aligned with the rail while fastening. Do not make metal scraper contact with guide rail.



Ordering Model Code

External NBR Seal included 2 Sets of (NBR seal + Metal Scraper + Screws + grease nipple) for different type lubrication please contact **cpc** technical division.

ARC	15	MN	S	2	Z	C	V1P	-1480L	-20	-20	II	SN
SN: External NBR Seal+ Metal scraper												