

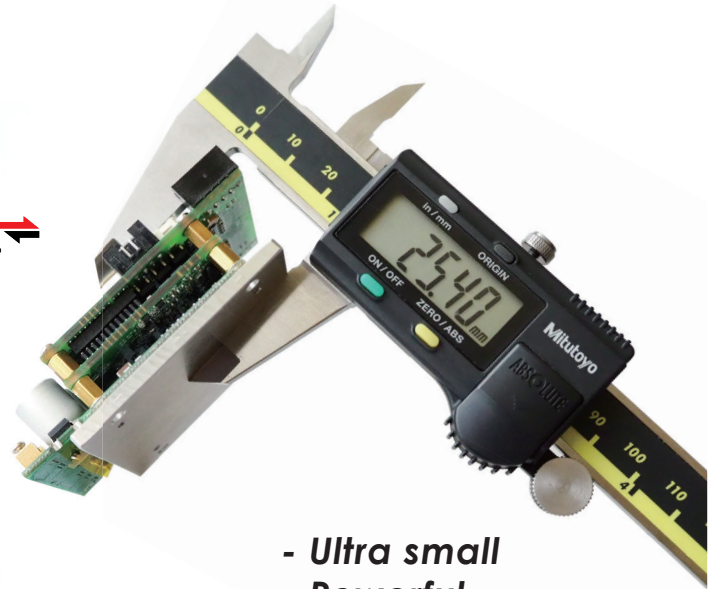
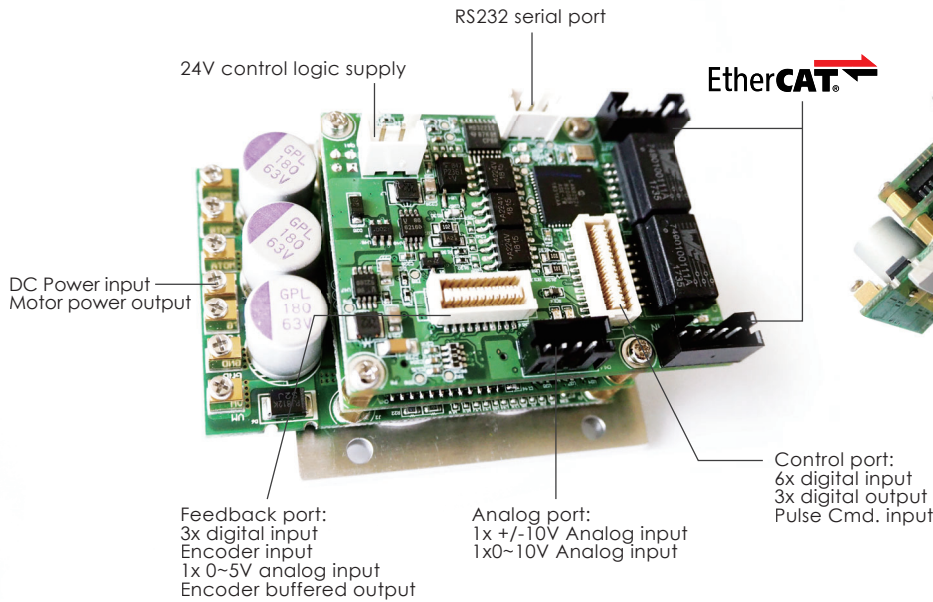
Will

SERIES

DC Servo Driver

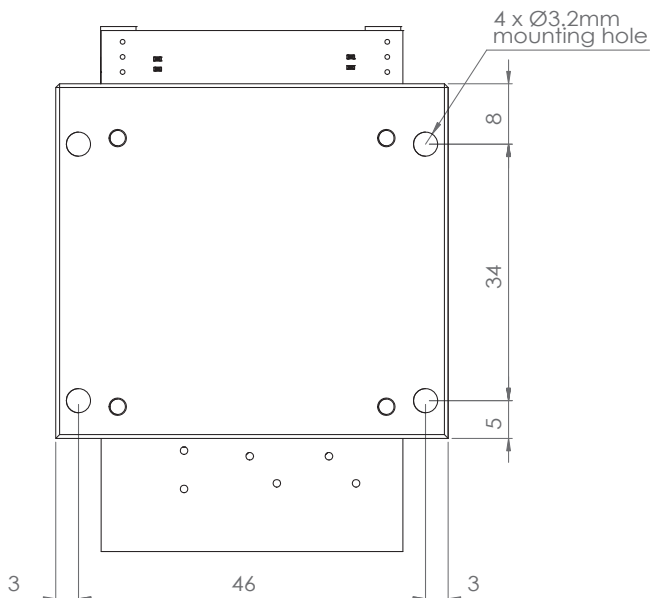
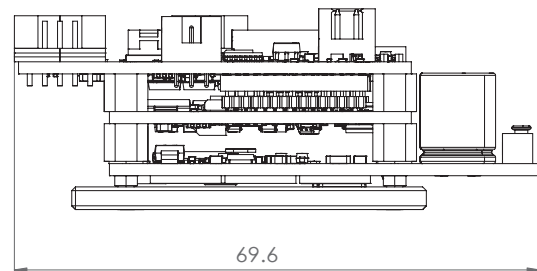
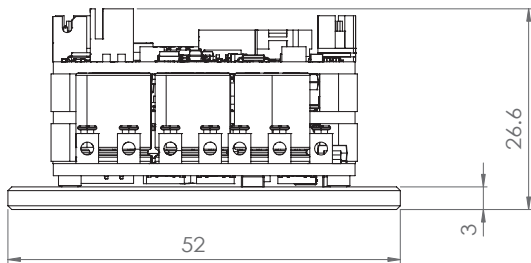
Will1-D

Product Overview



- Ultra small
- Powerful
- Customized

Dimension



Ordering Information

Will1-	D	20	48	S	A	E
Fieldbus type: <input type="checkbox"/> CANopen <input type="checkbox"/> EtherCAT						
Encoder type: A: Incremental B: BiSS-C, Tamagawa, EnDat 2.2, SSI R: Resolver S: Sin / cos						
Case type: S: Miniature connector board L: Bookshelf style case C: Core module only						
DC supply: 48VDC						
Continuous current (Amps): 1, 3, 6, 10, 20						
DC supply type						
Servo Driver						

Will

SERIES

DC Servo Driver

Specification

Will1-D

Model		Will1-D/48 E				
Input Power	Voltage (VDC)	48VDC				
	DC Bus Peak Voltage (VDC)	55VDC				
	Power Rating (W)	48	144	288	480	960
Control Logic Power	Voltage Range (VDC)	12 VDC or 48 VDC				
	Current (A)	> 0.5				
Peak power output (W)		96	288	876	960	1920
Peak current output (A)		2	6	12	20	40
Cont. current output (A)		1	3	6	10	20
Fieldbus (DS402 V3.0)		EtherCAT				
DS402 Operation modes		PP, PV, PT, HM, CST, CSV, CSP				
Serial bus		RS232				
Motor type		Linear/Rotary PMSM				
Encoder Input	Digital	Type	A/B Incremental (RS422 signaling)			
		Work Frequency	Max. 20 Mega counts/s			
		Count Range	$\pm 2^{31}$ counts			
	Analog (sin / cos)	Amplitude	1V _{P-P}			
		Work Frequency	100 kHz, 4096 Cnt/Period Interpolation			
	Absolute	Type	BiSS-C, Tamagawa, EnDat 2.2, SSI			
Feedback position error mapping		Yes				
Current control	Loop Frequency	20 KHz				
	PWM modulation	SVPWM				
	Command input	Serial, Fieldbus, ± 10 V Analog, internal software				
Velocity control	Loop Frequency	10 KHz				
	Command input	Serial, Fieldbus, ± 10 V Analog, internal software				
	Output filter	x3 (Low-pass or Notch)				
	Counter range	-2, 147, 483, 648 to 2, 147, 483, 647 counts/second				
Position control	Loop Frequency	5 KHz				
	Command input	Pulse command (A/B, Step/Dir, CW/CCW), Serial, Fieldbus, ± 10 V Analog, internal software				
	Trajectory generator	Trapezoidal with S-curve filter				
	Counter range	-2, 147, 483, 648 to 2, 147, 483, 647 counts				
Analog Input	Input type	x1 (± 10 V differential), x1 (10 V Single-end)				
	ADC resolution	12 bit				
Pulse command frequency	RS422	Max. 10 MHz				
	5V single-end	Max. 1 MHz				
Total Digital Inputs		x6 (5~24 V)				
Total Digital Outputs		x3 (5~24 V, 100 mA)				
High speed Position compare output		x1 (RS422)				
Autotuner		Current/Velocity/Position loop gain, motor phasing setup, sin/cos encoder calibration				
Gain switch function		Yes				
Software protection		Dynamic brake, motor over-current, over/under-position, over-velocity, Virtual/physical position limit switch, missing hall signal, external fault trigger				
Hardware protection		Drive over-temperature (analog), 5V output short circuit, motor over-temperature (analog)				
Dimensions (LxHxW)(mm)		69.6 x 26.6 x 52				
Weight (g)		74 (excluding optional heatsink)				
Operating temperature		10~40 °C				

Will-02-SB1-EN 2019.11.15 Printed in Taiwan

cpc CHIEFTEK PRECISION Co., LTD.

HEADQUARTERS
CHIEFTEK PRECISION Co., LTD.
No.3, Dali 1st Rd., Xinsi Dist., Southern Taiwan
Science Park, Tainan City, 741-45, Taiwan (R.O.C.)
TEL:+886-6-505 5858 Http://www.chieftek.com
E-mail:service@mail.chieftek.com

CHIEFTEK PRECISION USA
2280 E. Locust Court.
Ontario, CA 91761, USA
Tel:+1-909-773-1200
Fax:+1-909-773-1202

cpc Europa GmbH
Industriepark 314,
D-78244 Gottmadingen, Germany
TEL:+49-7731-59130-38
FAX:+49-7731-59130-28

CHIEFTEK MACHINERY KUNSHAN Co., LTD.
No.1188, Hongqiao Rd, Kunshan,
Jiangsu, P.R. China
TEL:+86-512-5525 2831
FAX:+86-512-5525 2851



* cpc reserves the right to revise any information (technical details) any time without notice, for printing mistakes or any other incidental mistakes. We take no responsibility.